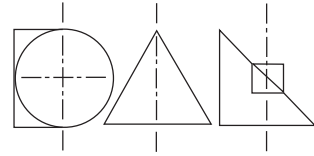


Baltic X Spotlight Installation and Maintenance Procedure

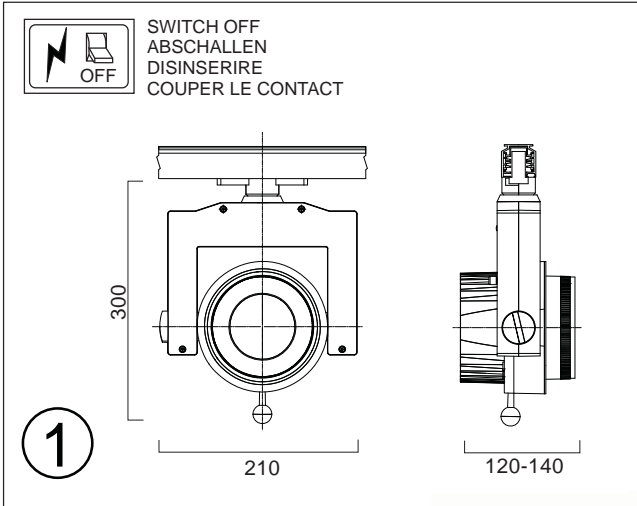


PRODUCT NUMBER:
D10XX, D11XX, D12XX, D13XX,
D14XX, D15XX, D16XX, D17XX,
SERIES

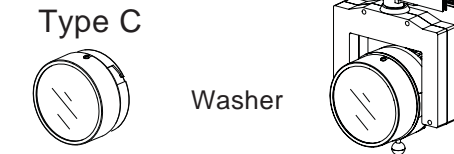
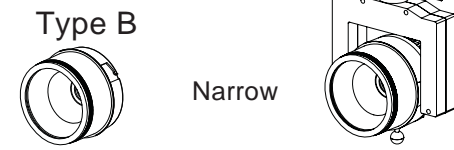
Country of origin
United Kingdom
WEE/EA0290TY



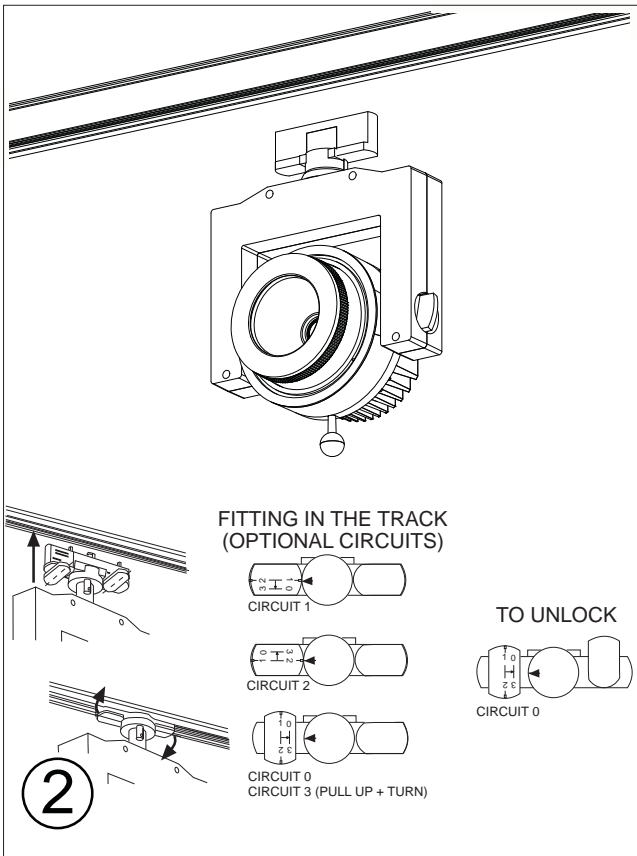
ALL LED PRODUCTS REQUIRE THE USE OF A SUITABLE RATED DRIVER (SUPPLIED).



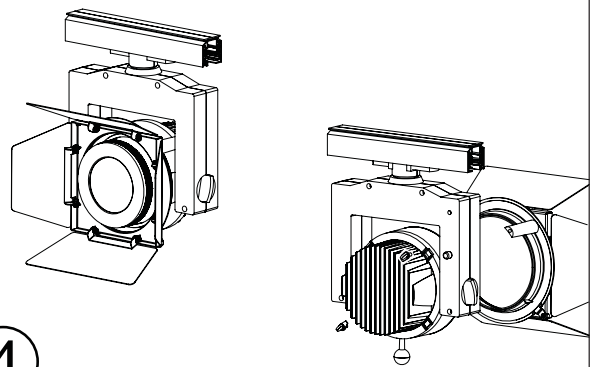
REFLECTOR ASSEMBLY OPTIONS



3



BARN DOOR OPTION FOR 'TYPE A' ONLY



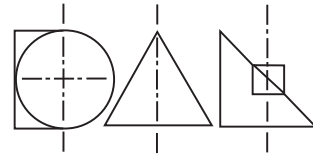
4

- WARNING, SWITCH OFF MAINS BEFORE INSTALLING, RELAMPING OR SERVICING.
- IP20 DO NOT OPERATE IN DAMP OR CORROSIVE SITUATIONS. CLASS 1.
- REPLACE ANY BROKEN LENS OR DEFECTIVE PART.
- DO NOT OPERATE WITHOUT A LENS.
- RETAIN PROCEDURE FOR FUTURE USE.

R0-030316

DESIGNED ARCHITECTURAL LIGHTING CO LTD, 6 CONQUEROR COURT, SPILSBY ROAD, HAROLD HILL, ESSEX RM3 8SB, TELEPHONE +44 (0) 1708 381999 FAX+44 (0) 1708 381585 E-MAIL sales@dal-uk.com

General Installation and Maintenance Procedure for Designed Architectural Lighting Luminaires



General Information

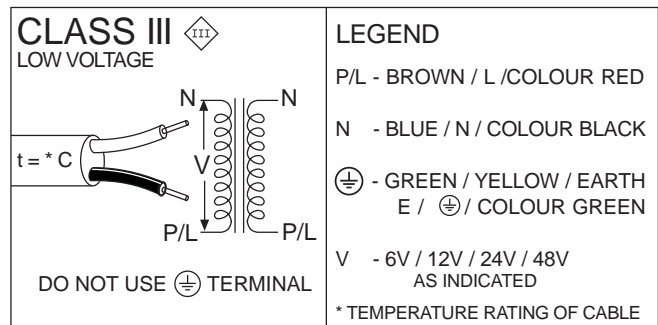
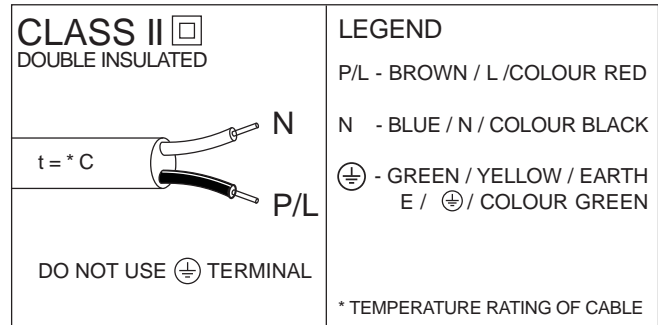
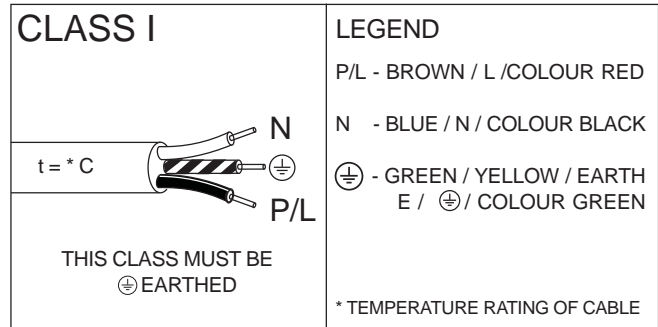
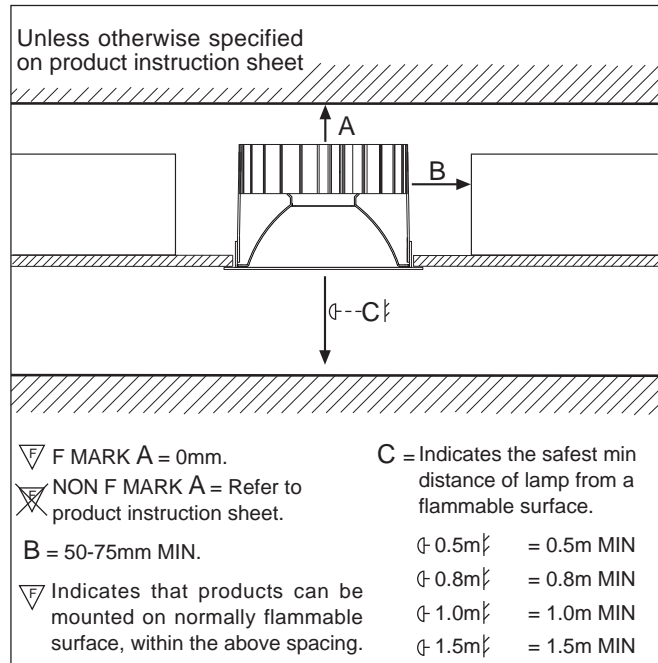
- Follow instruction sheet to ensure safe and reliable operation of product. Retain for future reference.
- The product should NOT be modified. Any modification will negate the safety mark/approvals, and may render the product unsafe.
- DAL accepts no responsibility for modified products. Modifications includes devices fitted between the lamp and lamp holder.
- All replacement component should be identical with those replaced. Disposal to be as manufacturer's instructions.
- DAL track luminaire must only be used on DAL track system or equivalent for which they are designed.

Installation and Supply

- Unless specified otherwise, all products are IP20 (ordinary). DO NOT operate in damp or corrosive situations.
- Disconnect from mains supply before; Intallation, maintenance or replacing fuse or lamp. Care must be taken when drilling holes near existing installation wiring, to avoid electric shock.
- Metal enclosed, Class II and Class III products must not be mounted in contact with or close to Earthed metal work, e.g. structural system of suspended ceilings.
- S.E.L.V. - To be used with Double Insulated. Extra Low Voltage, Safety Isolating Transformer or Driver only.
- When dimming is required, low voltage fittings should only be operated by a specifically rated dimmer.
- DAL accepts no responsibility for the effects of corrosive element in the installation/atmosphere.
- Any closure or ceiling void which prevents normal heat dissipation may cause reduced performance, over-heating and risk of fire.

Maintenance

- Only lamps of correct type and rating should be used, and fully and correctly inserted into the lampholder. Manufacturers instructions should be complied with.
- Certain lamp types (Metal Halide / Tungsten Halogen) reach maximum temperature rapidly. Care must be taken when adjusting or relamping.
- Metal Halide Lamps - Replace failed lamps promptly to avoid ballast damage.
- Replace all cracked or damaged safety glass immediately.
- Regular and careful cleaning is required to ensure optimum performance and safety. Designed Architectural Lighting accepts no responsibility for the effect of solvents used when installing, servicing or re-decorating the surround, or for the accumulation of dust and dirt.



R2-010715